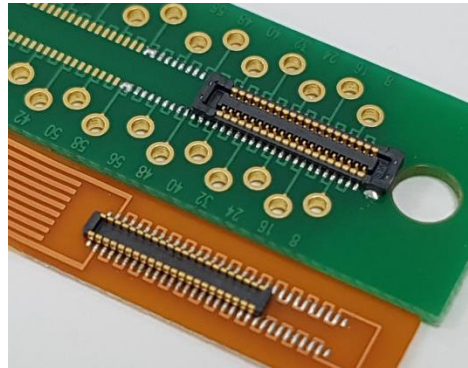




KN13C Series

MKT-E-17168F

0.4mm Pitch, 0.7mm Stacking Height, Board to FPC Connectors

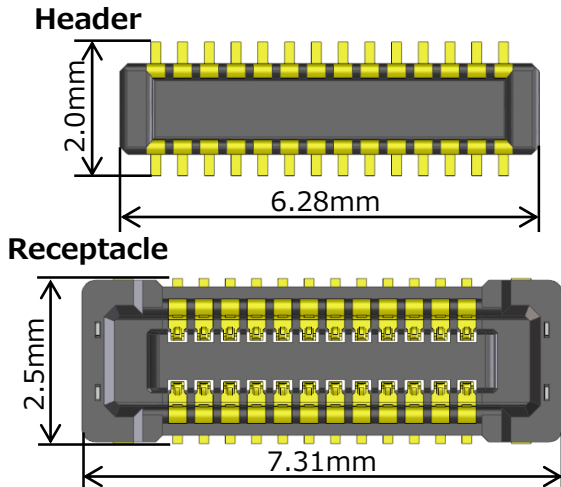


**Robust &
Low profile**

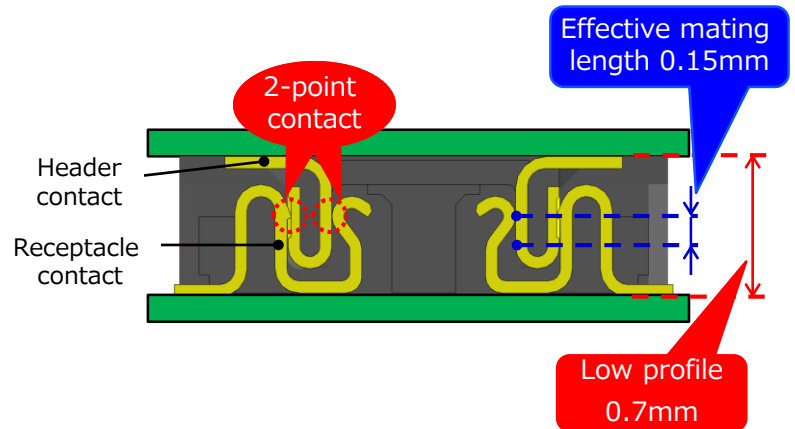
◆ Features

1. Space saving : 0.7mm stacking height, 2.5mm width
2. Robust design with metal solder tabs and ample housing thickness
3. Highly reliable 2-point contact design
4. Easy mating operation with clear tactile click and wide self alignment range
5. Wide vacuum pick & place area with 2.5mm width
6. Solder wicking prevention and contact protection against dust

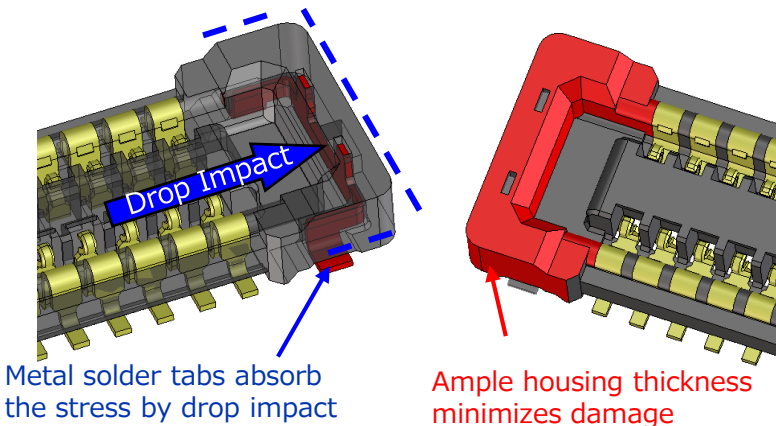
◆ Dimensions (24 pos.)



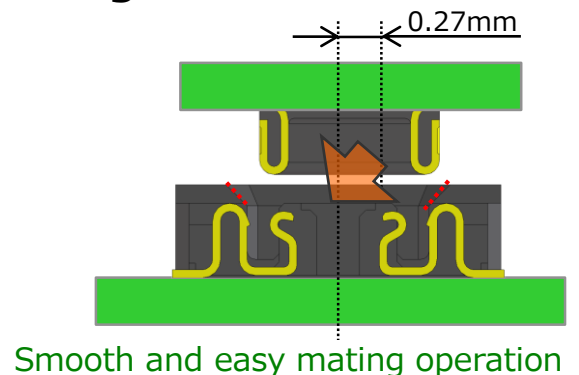
◆ Highly reliable contact design



◆ Robust structure



◆ Wide self alignment range



◆ Variations : 16, 24 pos.

Specifications herein are subject to change without notice. Contact Hirose for latest specifications, drawings or availabilities