

HRS

FH28K series

0.5mm pitch, 2.55mm height,
Heat resistance 125°C, Connectors for FPC/FFC



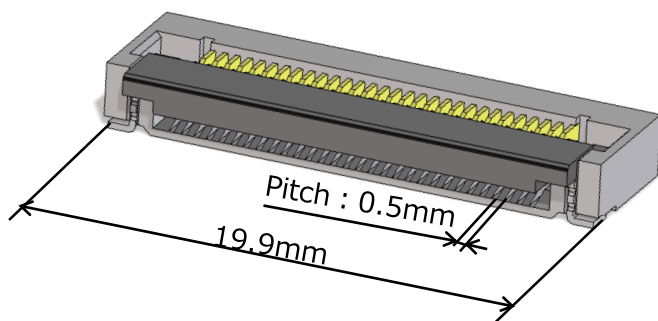
◆ Features

1. Satisfies severe automotive requirements : Heat resistance 125°C
2. Firm & clear tactile click to confirm lock completion
3. Robust lock design preventing actuator coming off
4. FPC tabs allow high connection reliability
5. High FPC retention force
6. User-friendly: Improved FPC insertion and 0.3mm FPC/FFC thickness
7. RoHS compliant, Halogen-free product*

*This product satisfies halogen free requirements defined as 900ppm maximum chlorine, 900ppm maximum bromine, and 1500ppm maximum total of chlorine and bromine.

◆ Example : 30pos.

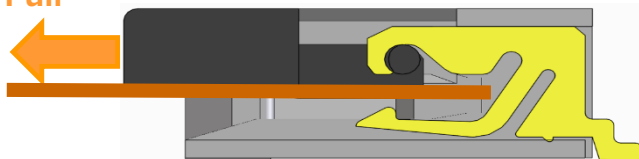
FPC/FFC thickness = 0.3 ± 0.05 mm
Bottom contact type



◆ High FPC retention force

Comparison without or with tabs

Pull



Retention Force	W/O tabs	With tabs
30pos.	12N min.	40N min.

◆ Performance characteristic

Contact resistance*	50mΩ Max.
Withstanding voltage	AC 150V for 1 minute
Insulation resistance	500MΩ min. (100V DC)
Rated current	0.5A
Rated voltage	50V AC/DC
Temperature	-40 to 125°C

- Pos. varieties : 60pos. (Planning : 10, 15, 20, 28, 30, 40, 45, 50, 55, 64, 68, 74 and 80pos.)

* including FPC conductor resistance

Specifications herein are subject to change without notice. Please contact Hirose for the latest specifications, drawings and availabilities.