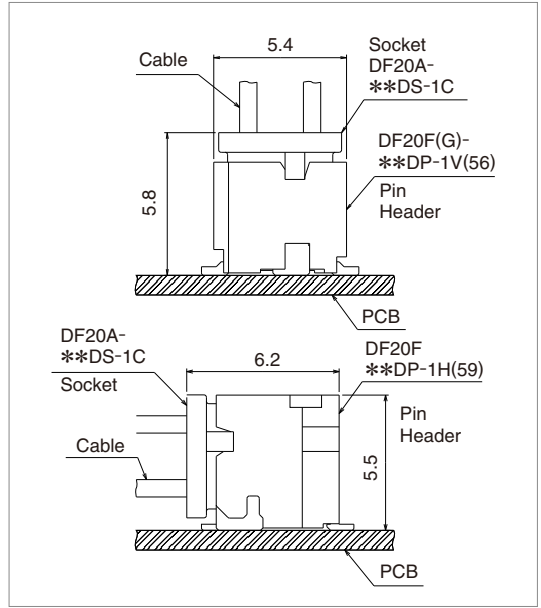
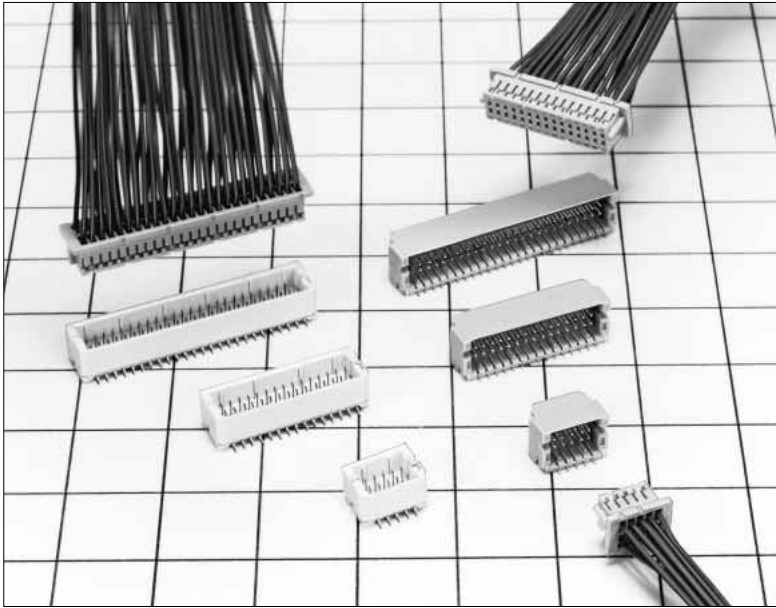


1mm Pitch Double Rows Low Profile Wire-to-Board Connectors

DF20 series



■ Features

1. Contact Pitch

1mm contact pitch allows reliable solder and cable termination.

2. Reliable electrical connection wipe

Effective electrical connection is assured with a 1mm wipe of mating contacts.

3. Narrower external width and length

Redesigned metal fittings decreased the overall length of the board-mount receptacle and permit end-to-end mounting of several connectors.

4. Automatic equipment board placement

Straight type pin headers are supplied with a 5.4mm X 4.6mm flat platform to allow vacuum pick-up and placement on the board.

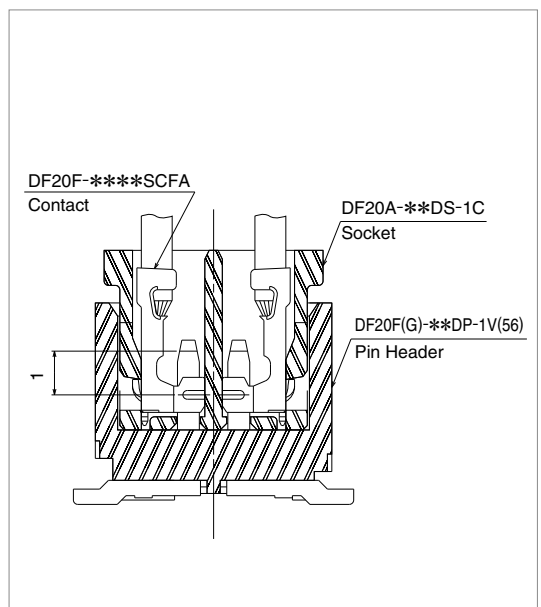
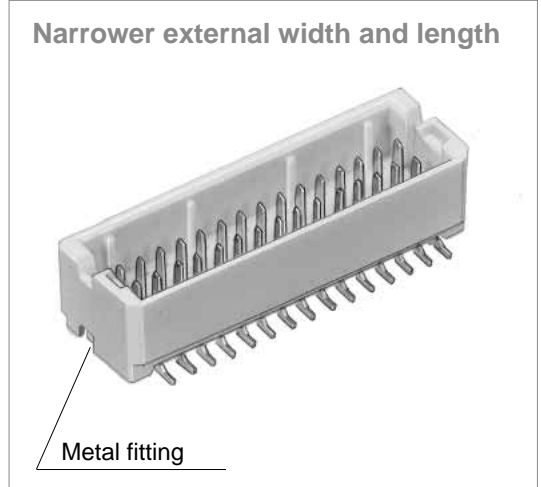
5. Product variations

- (1) Available with 10, 20, 30, 40, and 50 contacts.
- (2) Pin headers are available in two types : with or without board positioning bosses.
- (3) Depending on specific application pin headers can be ordered in straight or right angle types.

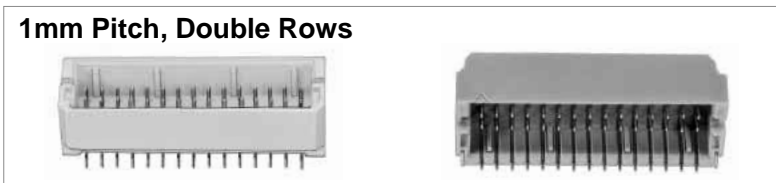
■ Applications

Notebook PC, small office automation equipment, small consumer devices, portable devices.

Any application requiring low profile reliable board-to-cable connection with a 28 AWG, 30 AWG, 32 AWG conductors.



1mm Pitch, Double Rows



Product Specifications

Rating	Rated current	28 AWG : 1A 30 AWG : 0.9A 32 AWG : 0.7A	Operating temperature range	-35°C to 85°C (Note 1,2)	Storage temperature range	-10°C to 60°C (Note 2)
	Rated voltage	100V AC	Operating humidity range	40% to 80%	Storage humidity range	40% to 70%

Item	Specifications	Conditions
1. Insulation resistance	500MΩ min.	Measured at 100V DC
2. Withstanding voltage	No flashover or insulation breakdown	Conduction of 300V AC applied for 1 minute
3. Contact resistance	30MΩ max.	Measure at 100mA.
4. Insertion-Extraction force (per contact)	0.2 N Min., 2 N Max.	Measured with a steel pin of 0.2 ±0.005 thickness
5. Vibration	No electrical discontinuity of 1μs min.	Frequency of 10 to 55 Hz, single amplitude of 0.75 mm, in 3 directions for 2hours
6. Humidity	Contact resistance of 30mΩ max., insulation resistance of 100MΩ min.	Temperature of 40±2°C, humidity of 90% to 95%, left standing for 96 hours
7. Temperature cycle	Contact resistance of 30mΩ max, insulation resistance of 500MΩ min.	(-55°C : 30min → 5°C to 35°C : 2 to 3min → 85°C : 30min → 5°C to 35°C : 2 to 3min) for 5 cycles
8. Mechanical operation	Contact resistance of 30mΩ max.	50 cycles
9. Resistance to Soldering heat	No deformation of the insulator parts that will affect performance	Reflow : At the recommended temperature profile, manual solder : Soldering iron temperature of 300°C for 3 seconds

Note 1 : Includes temperature rise caused by current flow.

Note 2 : The term "storage" refers to products stored for long periods of time prior to mounting and use.

Operating temperature range and Humidity range covers non-conducting conditions of installed connectors in storage, shipment or transportation.

Note 3 : Information contained in this catalog represents general requirements for this Series. Contact us for the drawings and specifications for a specific part number shown.

Materials / Finish

Item	Part	Material	Finish	Remarks
Socket	Insulator	Polyamide	Color : Beige	UL94V-0
Socket contact	Contact	Phosphor bronze	Gold plating	—
Pin header	Insulator	Polyamide	Color : Beige	UL94V-0
	Contact	Phosphor bronze	Gold plating	—
	Metal Fitting	Brass	Tin-Copper plating	—

Product Number Structure

Refer to the chart below when determining the product specifications from the product number.

Please select from the product numbers listed in this catalog when placing orders.

Connectors

DF20 # - * DS - 1 C

① ② ③ ④ ⑤ ⑥

① Series name : DF20	④ Connector type DS: Double-row socket DP: Double-row pin header
② Boss Type ■ Pin header F : Without boss G : With boss ■ Crimp socket: A	⑤ Contact pitch: 1 mm
③ Number of contacts : 10, 20, 30, 40, 50	⑥ Type of housing, header C: Crimp housing V: Straight SMT header H: Right angle SMT header

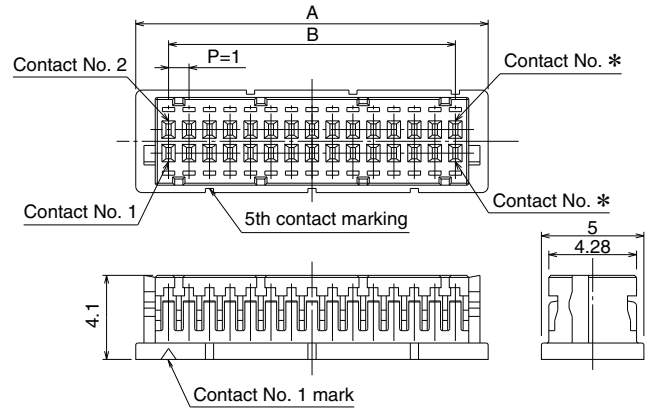
Contacts

DF20 F - 2830 SCF A (* *)

① ② ③ ④

F	② Contact & packaging type SCF : Socket contact reel	④ Packaging Specifications 04 : 1 reel = 10,000 pieces 44 : 1 reel = 20,000 pieces
① Applicable wire size 2830 : 28 to 30 AWG 3032 : 30 to 32 AWG	③ Plating type A : Gold plating	

Double Row Socket



Unit : mm

Part No.	HRS No.	No. of Contacts	A	B	RoHS
DF20A-10DS-1C	686-0020-3	10	7.2	4.0	YES
DF20A-20DS-1C	686-0021-6	20	12.2	9.0	
DF20A-30DS-1C	686-0022-9	30	17.2	14.0	
DF20A-40DS-1C	686-0023-1	40	22.2	19.0	
DF20A-50DS-1C	686-0024-4	50	27.2	24.0	

[Specifications number]-*, (**)
Blank : Bag packaging (100 pcs / pack)

Note : Sales quantities are by the package unit (containing 100 pieces). Please order by package unit.

Socket Crimp Contacts

Part No.	HRS No.	Type of contacts	Quantity	Plating type	RoHS
DF20F-2830SCFA(**)	686-0042-6 **	Reel contacts	See specifications number column	Gold plating	YES
DF20F-3032SCFA(**)	686-0043-9 **				
DF20F-36SCFA(**) (Note 2)	686-0051-7 **				

[Specifications number] -*, (**)
(04) : 10,000 pcs / reel
(44) : 20,000 pcs / reel

Applicable Wire (Tin plated solid soft conductor)

Applicable Wire Size (Stranded wire conductor)	Jacket diameter
28 AWG (7/0.127mm)	0.5 to 0.6mm
30 AWG (7/0.1mm)	
32 AWG (7/0.08mm)	

Recommended wire

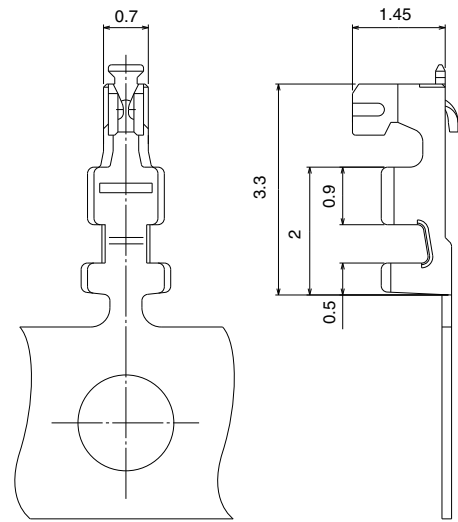
UL1571(thin type) (Note 2)

Strip length

1.2 to 1.9mm

Note 1 : When using other than the recommended wire, contact your nearest Hirose representative.

Note 2 : Contact your Hirose sales representative when using 36 AWG.



Applicable Crimping Tools

Type	HRS No.	Part No.	Applicable contact
Applicator	901-4572-6	AP105-DF20-2830S	DF20F-2830SCFA(**) DF20F-3032SCFA(**)
Press	901-0001-0	CM-105C	—

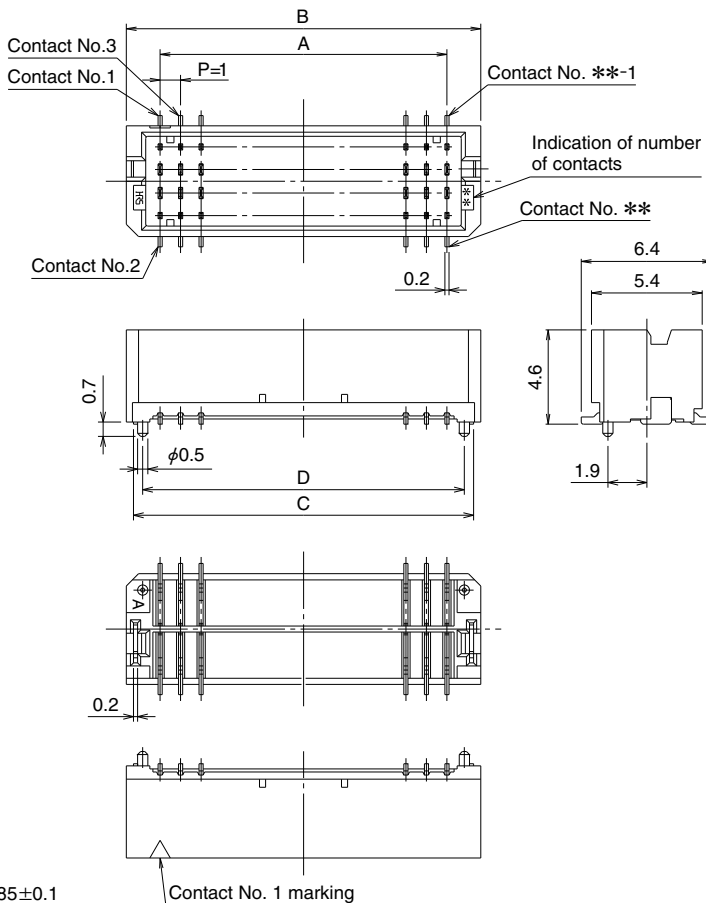
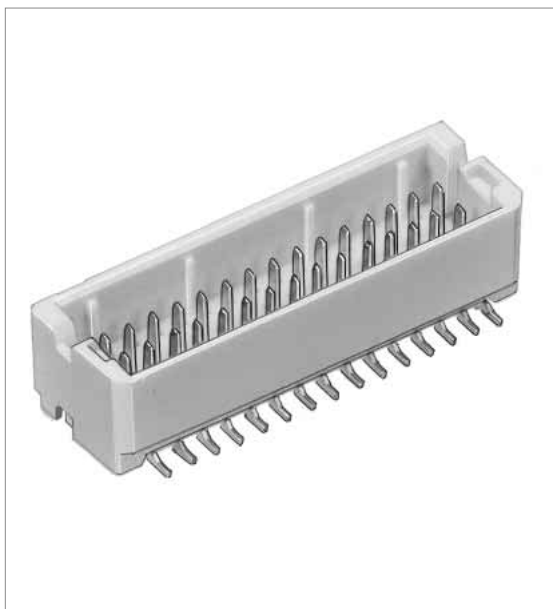
Note 1 : Hirose Electric will not be responsible for any problems caused by use of tools other than specified.

Note 2 : Please conduct crimping work according to the "Crimping work standards" and "Crimp condition table".

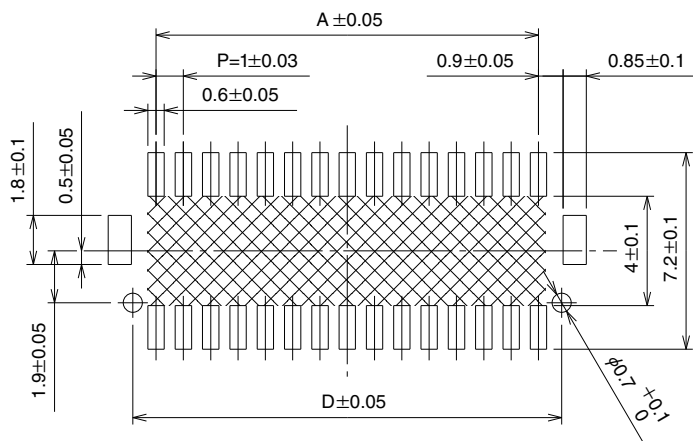
Replacement Parts List for Applicator

Type	Part No.	HRS No.
Insulation crimper	AP105-DF20-2830S(61)	901-4572-6 61
Wire crimper	AP105-DF20-2830S(62)	901-4572-6 62
Insulation anvil and wire anvil	AP105-DF20-2830S(63)	901-4572-6 63

Double Row Straight Pin header



PCB Footprints



Note 1 : Shaded area must be free of any electrically conductive traces to avoid contact with soldered pin header terminations.
 Note 2 : Required only for pin headers supplied with the positioning boss.

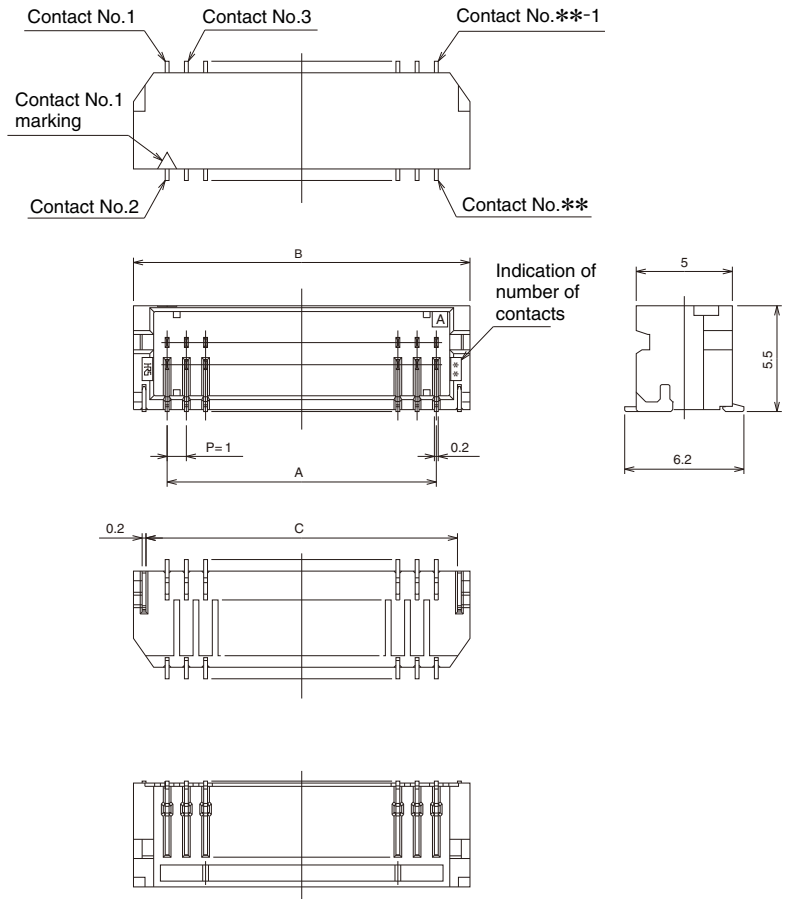
Unit : mm

Part No.	HRS No.	No. of contacts	A	B	C	D	Remarks	RoHS
DF20F -10DP-1V(56)	686-0032-2 56	10	4.0	7.3	6.6	—	Without boss	YES
DF20F -20DP-1V(56)	686-0033-5 56	20	9.0	12.3	11.6	—		
DF20F -30DP-1V(56)	686-0034-8 56	30	14.0	17.3	16.6	—		
DF20F -40DP-1V(56)	686-0035-0 56	40	19.0	22.3	21.6	—		
DF20F -50DP-1V(56)	686-0036-3 56	50	24.0	27.3	26.6	—		
DF20G-10DP-1V(56)	686-0037-6 56	10	4.0	7.3	6.6	5.7	With boss	
DF20G-20DP-1V(56)	686-0038-9 56	20	9.0	12.3	11.6	10.7		
DF20G-30DP-1V(56)	686-0039-1 56	30	14.0	17.3	16.6	15.7		
DF20G-40DP-1V(56)	686-0040-0 56	40	19.0	22.3	21.6	20.7		
DF20G-50DP-1V(56)	686-0041-3 56	50	24.0	27.3	26.6	25.7		

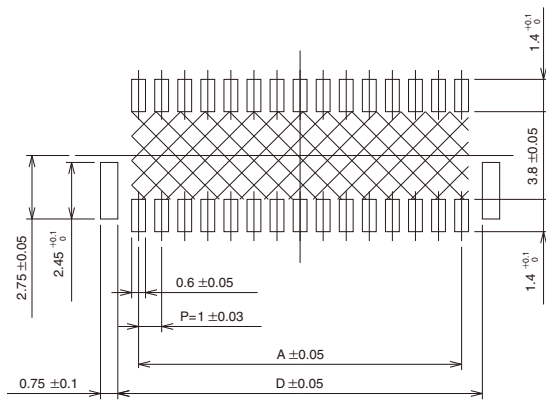
Note 1 : Order embossed tape packaging items by the reel. (1 reel contains 1,000 pieces)
 Note 2 : Vacuum pick-up cap are included with embossed tape packaged connectors.

[Specifications number]-*, (**)
 (56) : Gold plating, embossed tape packaging

Double Row Right angle Pin header



PCB Footprints



Note : Shaded area must be free of any electrically conductive traces to avoid contact with soldered pin header terminations.

Unit : mm

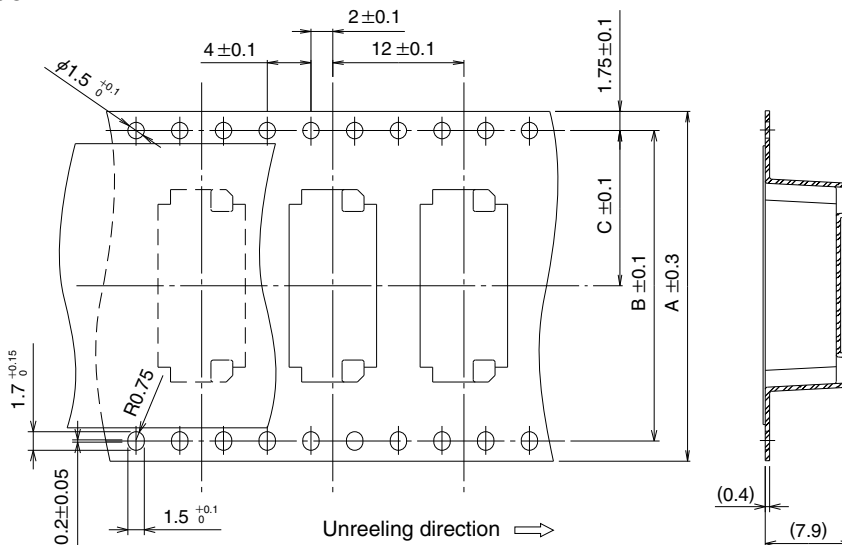
Part No.	HRS No.	No. of contacts	A	B	C	D	Remarks	RoHS
DF20F -10DP-1H(59)	686-0027-2(59)	10	4.0	7.5	6.2	5.8	Without boss	YES
DF20F -20DP-1H(59)	686-0028-5(59)	20	9.0	12.5	11.2	10.8		
DF20F -30DP-1H(59)	686-0029-8(59)	30	14.0	17.5	16.2	15.8		
DF20F -40DP-1H(59)	686-0030-7(59)	40	19.0	22.5	21.2	20.8		

[Specifications number]-*, (**)
(59) : Gold plating,
embossed tape packaging

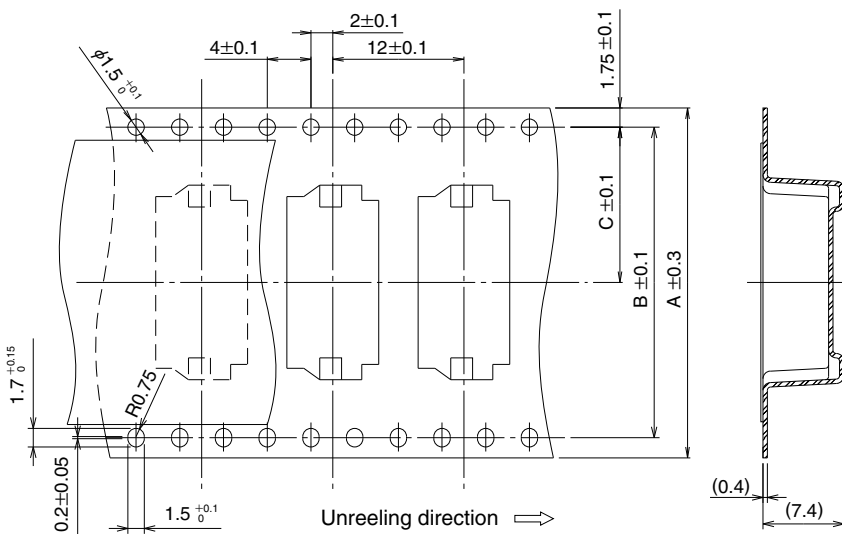
Note : Order embossed tape packaging items by the reel. (1 reel contains 1,000 pieces)

◆ Embossed Carrier Tape Dimensions

● Straight pin header

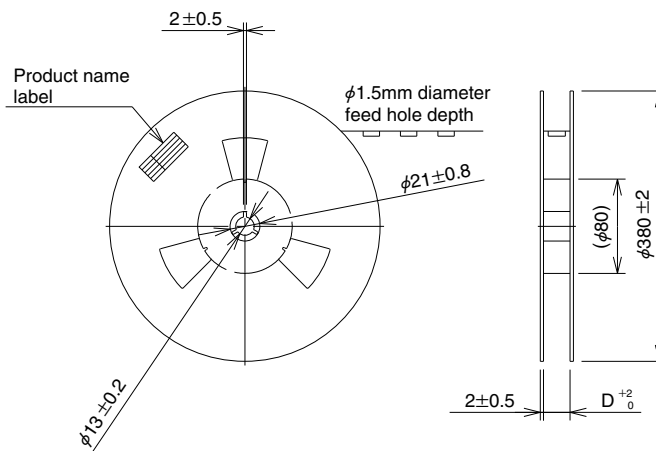


● Right angle pin header

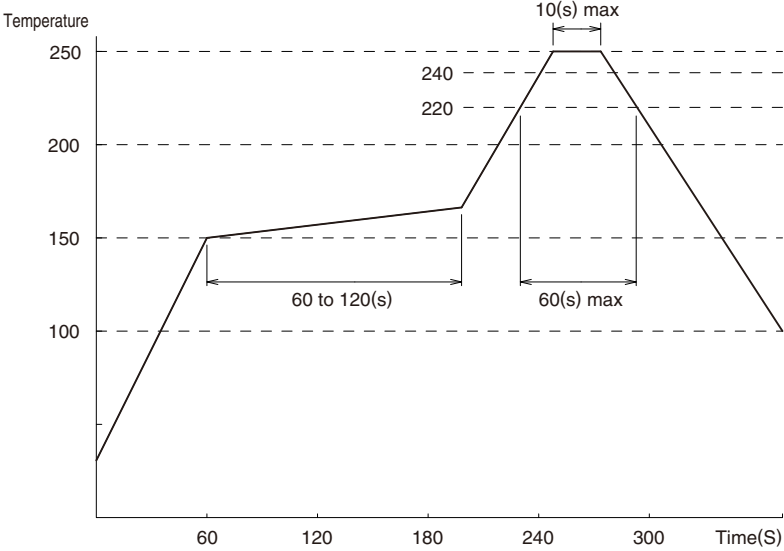


● Reel dimensions

Part No.	No. of Contacts	A	B	C	D
DF20F(G)-10DP-1V(56)	10	16	—	7.5	16.4
DF20F(G)-20DP-1V(56)	20	24	—	11.5	24.4
DF20F(G)-30DP-1V(56)	30	32	28.4	14.2	32.4
DF20F(G)-40DP-1V(56)	40	44	40.4	20.2	44.4
DF20F(G)-50DP-1V(56)	50	44	40.4	20.2	44.4
DF20F - 10DP-1H(59)	10	16	—	7.5	16.4
DF20F - 20DP-1H(59)	20	24	—	11.5	24.4
DF20F - 30DP-1H(59)	30	32	28.4	14.2	32.4
DF20F - 40DP-1H(59)	40	44	40.4	20.2	44.4



◆ Usage recommendation

<p>1. Recommended Soldering Temperature Profile for IR Reflow.</p>	 <p>Note 1 : Up to 2 cycles of reflow soldering are possible under the same conditions, provided that there is a return to normal temperature between the first and second cycle.</p> <p>Note 2 : The temperature indicates the board surface temperature at the points of contacts with the connector terminals.</p>
2. Recommended Manual Soldering Conditions	Soldering temperature : 290°C ±10°C, Soldering time : within 3 sec.
3. Recommended Solder Screen Thickness	0.15mm
4. Board Warping	Maximum of 0.03mm at the connector center section, with both ends of the connector as reference points.
5. Cleaning Conditions	Refer to "Wire-to-Board Connector Use Handbook"
6. Wiring Termination Conditions	Refer to "Wire-to-Board Connector Use Handbook" Crimp contacts should be handled with care as not to cause any deformation or damage affecting the performance or termination.
7. Mating / un-mating precautions	Excessive twisting and pulling on wires during mating/un-mating should be avoided as it may cause damage to connectors.
8. Precautions	Refer to "Wire-to-Board Connector Use Handbook"